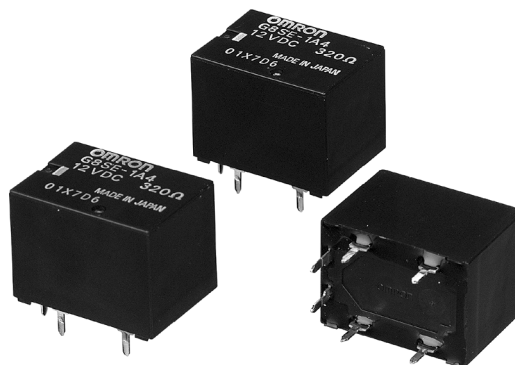


Sub-Miniature Automotive PCB Relay

- General purpose automotive PCB relay.
- High capacity relay.
- High heat resistance.



Available Types

Type	Contact form	Recommended loads
G8SE-1A4-L 12VDC (320Ω)	SPST	Motor, Resistive

Contact Data

Continuous carry current (max.)	20A
Inrush current (L/R=7ms; 15ms max.)	60A
Contact value drop (Initial value)	50mΩ

Ratings/Specifications

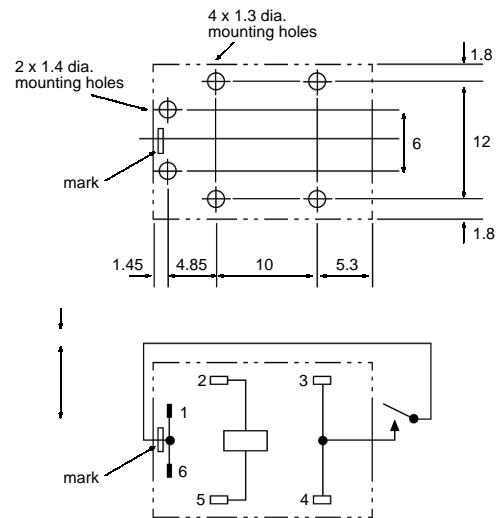
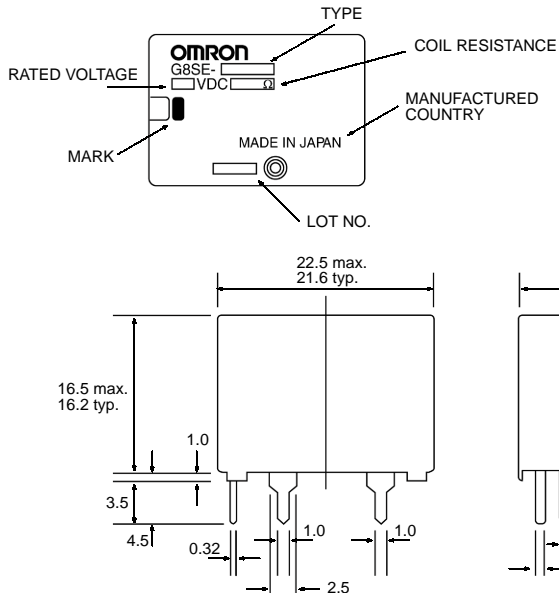
Rated voltage	12 VDC
Operating voltage (max.)	16 VDC
Coil resistance	320 Ω
Pull in voltage (cold start) at +20°C (max.)	7.3 VDC
Drop-out voltage at +20°C (min.)	1.2 VDC
Max. Continuous carry current flow time (16 VDC at 80°C max.)	Unlimited
Operating time (max.)	10 ms
Release time (max.)	5 ms
Operating ambient temperature	-40°C to +110°C
Mechanical life (min.)	1,000,000 cycles (at frequency of 18,000 operations/hour)
Electrical life (resistive load) (max.)	100,000 cycles
Weight	16.0g

Application Examples

- Electric wing mirror
- Car audio
- Power radio aerial
- Air-conditioning
- Courtesy lamp
- Power window
- Electric sunroof
- Intermittent windshield wiper
- Passive restraint seatbelt
- Power door lock
- Power seat

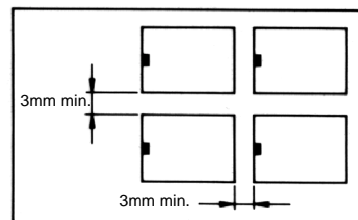
Dimensions

(All dimensions in mm)



- Omron PCB relays may be mounted in any convenient location that is dry and not exposed to excessive dust, SO₂, H₂S or organic gases.
- All Omron PCB relays may be oriented in any desired direction. Whenever possible, however, care should be taken that they are not subjected to vibration along the direction of contact movement.

- If several relays are to be mounted on a single printed circuit board, they should be given at least 3mm clearance on all sides as shown in the diagram below.



- Note:** Proper spacing is necessary to dissipate heat build-up from individual relays. Other than this, there are normally no restrictions depending on application. Please contact Omron for details.

Cat. No. K905-E2-01 In the interest of product improvement, specifications are subject to change without notice.

OMRON

LEADERS IN ELECTRONIC COMPONENTS

OMRON Electronics Ltd.

1, Apsley Way,
Staples Corner,
London NW2 7HF
Phone: (0181) 450 4646 Fax: (0181) 450 8087