

Muting Controller for Safety Light Curtain

F3SP-U4P


Muting controller for one or two Safety Light Curtain.

- High functionality (two independent muting functions, override function, automatic and manual reset).
- Category 2 or 4 depending on safety light curtain.
- Only 45 mm width
- Double output safety relay.
- 6 LED for status and diagnostics.
- Detachable terminals for easy installation.
- Controls 1 or 2 safety light curtains
- TÜV approved




List of Models

Controller

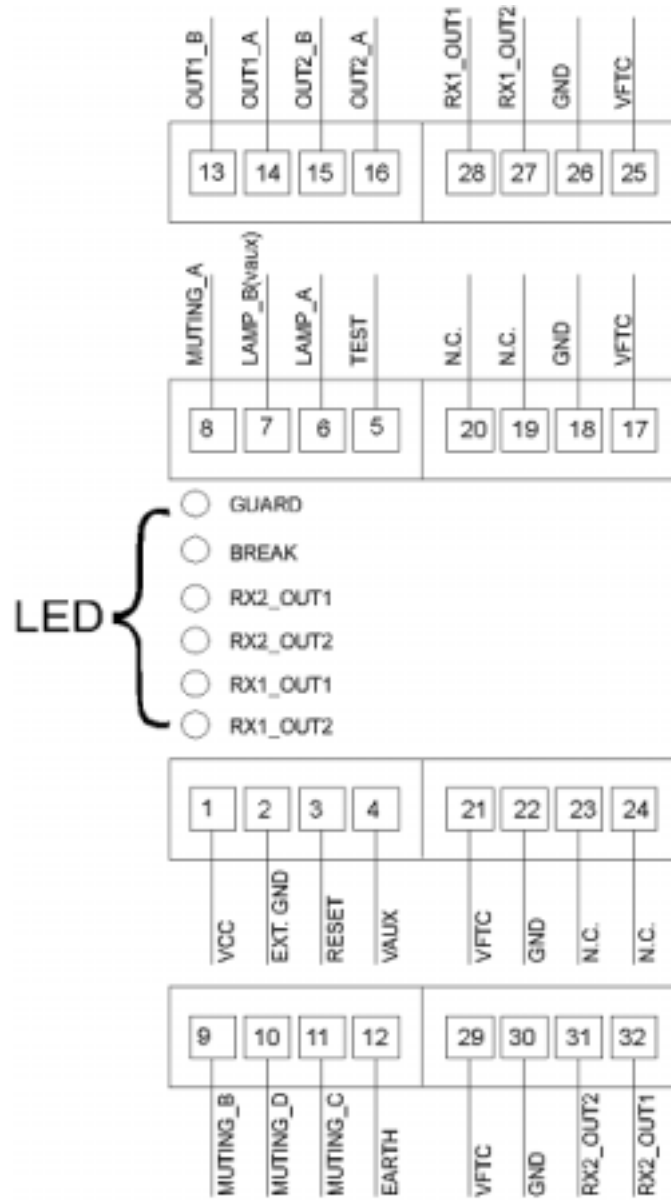
Description	Model
 Muting Controller for Safety Light Curtain F3S-B, F3SN and F3SH	F3SP-U4P-TGR

Accessories

Description	Model
 Muting lamp	F39-A11

Rating / performance

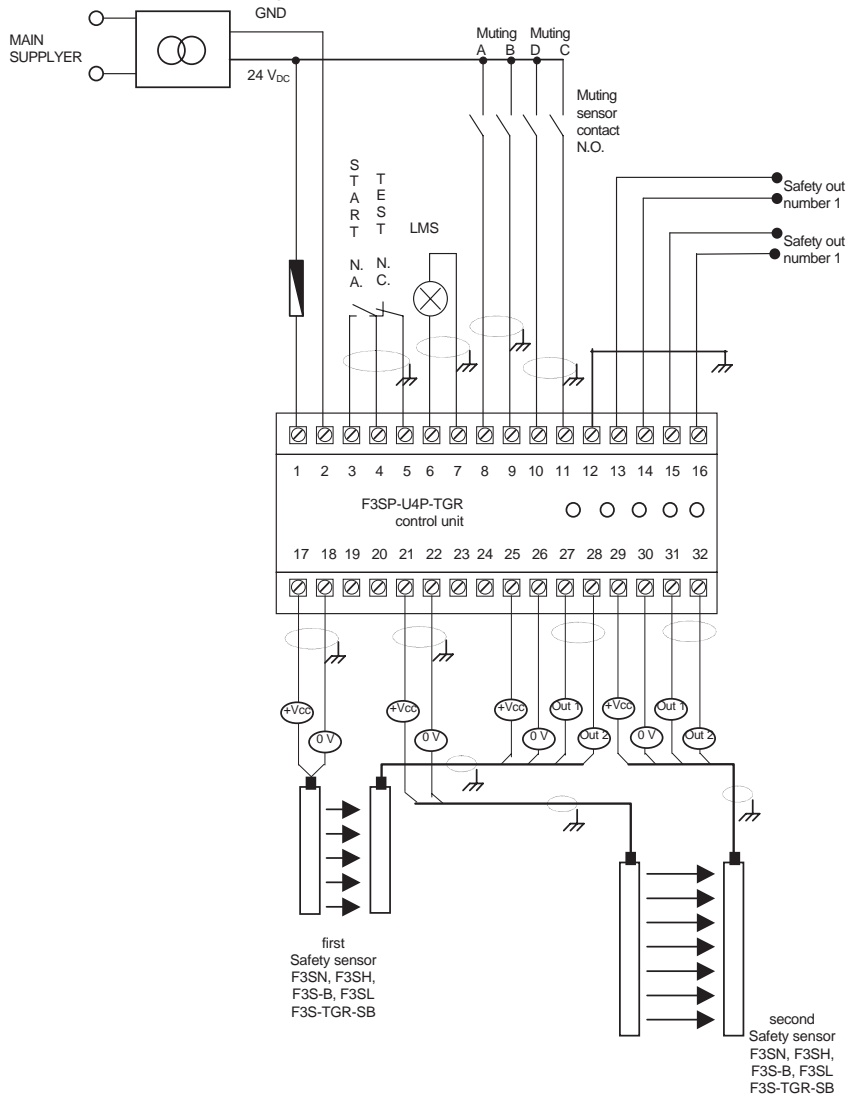
	F3SP-U4P-TGR
Power supply voltage	24 VDC ±10%
Power consumption	420 mA max. (excl. SLC power consumption)
Output contacts	2 NO 2,5 A (protected by fuse)
Indicators	6 LEDs for status and diagnostics.
Enclosure rating	IP20
Terminal	32 screw terminals (1,5 mm ²), detachable blocks with 4 screws each
Response time	≤ 30 ms
Ambient temperature	Operating: -10 °C + 55 °C
Housing material	Plastic, DIN rail mounting
Weight	0,6 kg



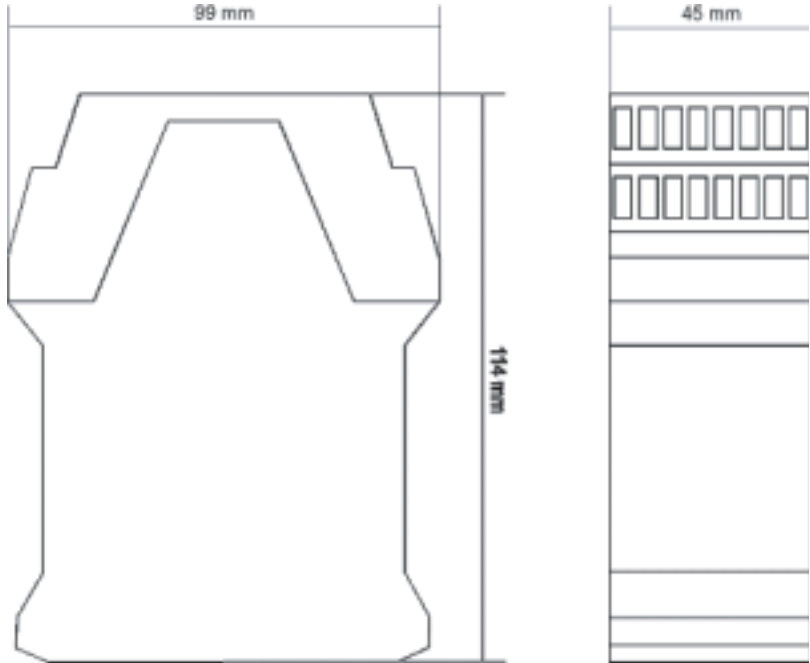
F3SP-U4P

Wiring Example

Control unit F3SP-U4P-TGR in a mixed configuration that allows the use of several OMRON safety light curtains and perimetrical guards.



Dimensions



F3SP-U4P