

Muting Controller for Safety Single Beam

F3SP-U3P-TGR


- High functionality (two independent muting functions, override function, automatic and manual reset).
- Category 2.
- Only 22,2 mm width
- Double output safety relay.
- 6 LED for status and diagnostics.
- Detachable terminals for easy installation.
- Controls 1 or 2 safety sensors.
- TÜV approved.

Muting controller for one or two Safety Single Beam.




List of Models

Controller

Description	Model
 Muting Controller for Safety Single Beam E3FS	F3SP-U3P-TGR

Accessories

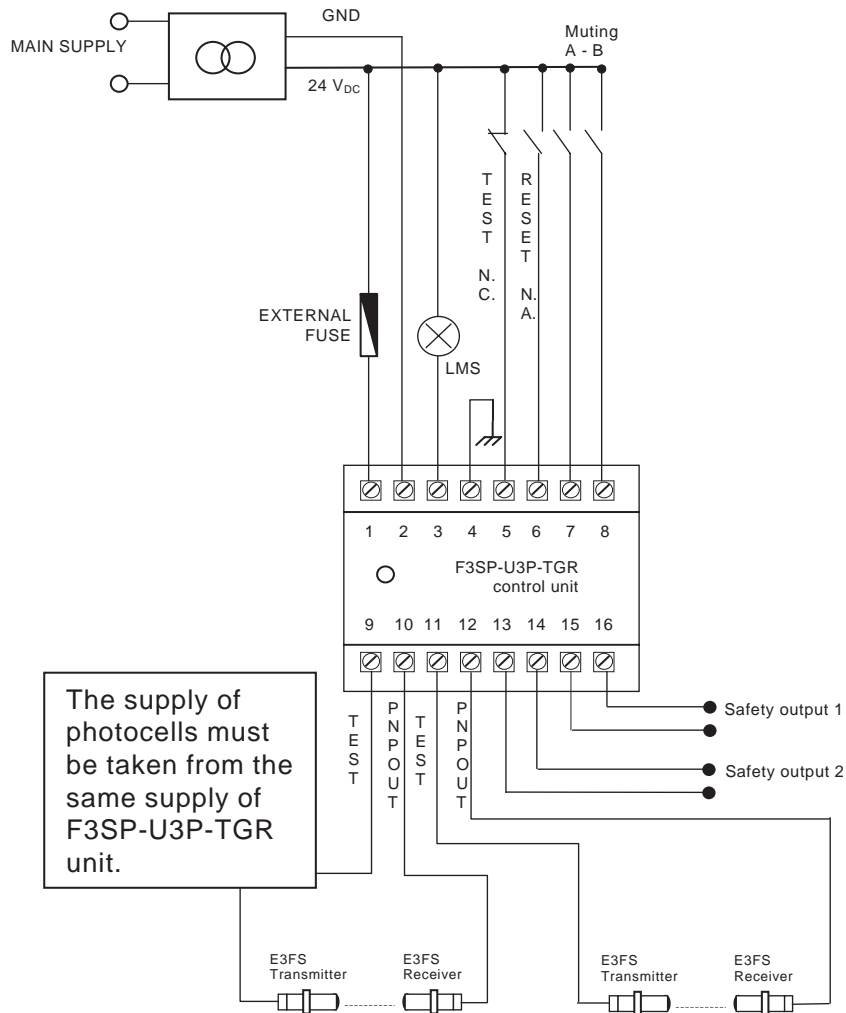
Description	Model
 Muting lamp	F39-A11

Rating / performance

	F3SP-U3P-TGR
Power supply voltage	24 VDC \pm 10%
Power consumption	420 mA max.
Output contacts	2 NO 2.5 A (protected by fuse), 115 V AC max.
Indicators	6 LED for status and diagnostics
Enclosure rating	IP20
Terminal	16 screw terminals, detachable blocks with '4' screws each
Response time	\leq 30 ms
Ambient temperature	Operating: -10 °C + 55 °C
Housing material	Plastic, DIN rail mounting
Weight	0,3 kg

Wiring Example

Connection of 2 safety PES to the control unit.



F3SP-U3P-TGR

Dimensions

