

F3EM2

Measuring Light Curtain

OPERATION MANUAL

OMRON



Manufacturer: OMRON Europe B.V.
Wegalaan 67-69
2132 JD Hoofddorp, THE NETHERLANDS
WWW www.industrial.omron.eu

User's Manual: Version 0.2 dated 18-10-2011

Precautions

WARNING



The F3EM2 multi-beam photoelectric sensor with beam evaluation function is not a safety component for ensuring the safety of people which is defined in EC directive (2006/42/EC) or by any other regulations or standards.

GENERAL INFORMATION

The instructions in this manual must be followed in order to safeguard correct installation. The barrier does not contain any parts that are subject to maintenance; do not remove any electronic parts from the housing for any reason. In case of malfunction, please contact your sales representative with a description of the failure found and its period of operation. Do not touch the front protective cover with your hands as dust and/or grease may decrease performance.

OPERATING ENVIRONMENT

Do not use the light curtain in locations with explosive or flammable gas. Make sure that the product is operated in accordance with IP65 standards. Do not subject the light curtain to excessive shock when mounting. When using the light curtain in the vicinity of an inverter motor, be sure to connect the protective earth ground wire of the motor to earth. Failure to ground the motor may result in malfunction of the light curtain. Further it is recommended to use shielded cables and to connect the shield to the ground in such cases.

CLEANING

When cleaning the front covers please do not use woollen cloths or organic solvents. The interval between cleaning depends on conditions in the environment (dust, fog).

POWER SUPPLY VOLTAGE AND OUTPUT LOAD

Do not connect an AC power supply to the Sensor. If AC power (100 VAC or more) is supplied to the Sensor, it may explode or burn. Make sure that the power supply to the Sensor is within the rated voltage range. If a voltage exceeding the rated voltage range is supplied to the Sensor, it may explode or burn.

Table Of Contents

Precautions	1
Chapter 1 Overview	
1-1 Applications	1-2
1-2 Model line up	1-3
Chapter 2 Installation	
2-1 General.....	2-2
2-2 Mechanical installation	2-3
2-3 Operating environment.....	2-4
2-4 Operating distances.....	2-4
2-5 Wiring & output circuit.....	2-5
2-6 Setting the internal selector-switches	2-7
Chapter 3 Operation - General aspects and definitions	
3-1 Beam order.....	3-2
3-2 Output modes	3-3
Chapter 4 Operation - Analog models	
4-1 DIP switch setting	4-2
4-2 Analog output value.....	4-3
Chapter 5 Operating serial output models (RS-232C)	
5-1 DIP switch setting - Overview.....	5-2
5-2 Transmission speed (baud rate).....	5-4
5-3 Beam aquisition and data aquisition.....	5-4
5-4 Communication protocol for serial output	5-5
Chapter 6 Order codes	
Chapter 7 Technical specifications	
7-1 Ratings	7-2
Chapter 8 LED indicators and error indication	
8-1 LED indication on receiver unit.....	8-2
8-2 LED indication on emitter unit.....	8-3
8-3 Troubleshooting for error indication.....	8-4
Chapter 9 Dimensions	
Chapter 10 Accessories	
10-1 Mounting bracket.....	10-2
10-2 Cables	10-2
Manual Revision History	1



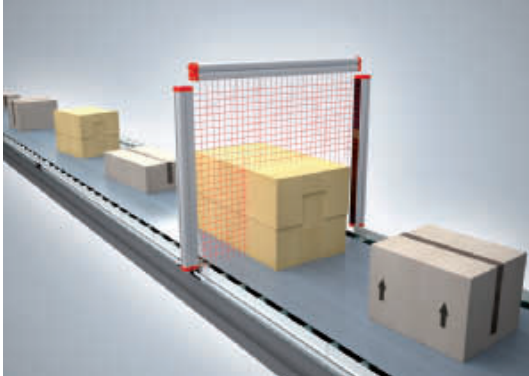
1

Overview

1-1 Applications	1-2
1-2 Model line up.....	1-3

1-1 Applications

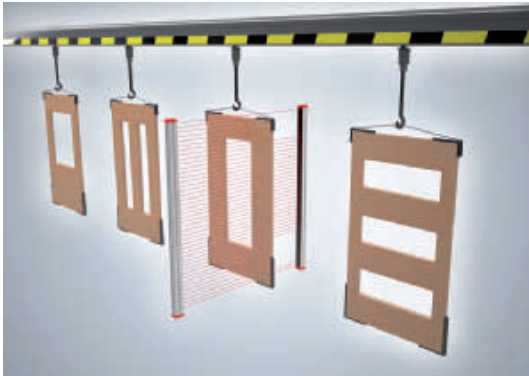
F3EM2 is a multi-beam measuring light curtain designed for easy height and profile measurement for various applications. Programming via dip switches makes it easy to set up F3EM2 everywhere without external controller or Remote PC. Due to its robust housing F3EM2 is also suitable for harsh environments in industry.



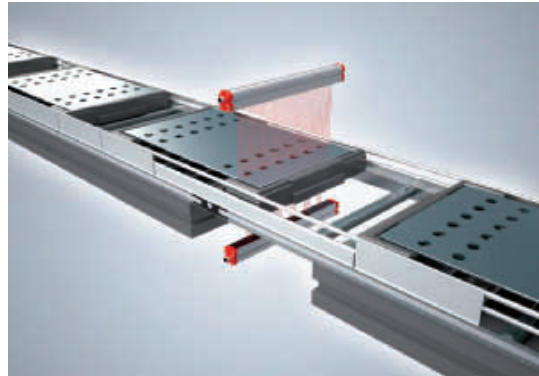
Volume measurement



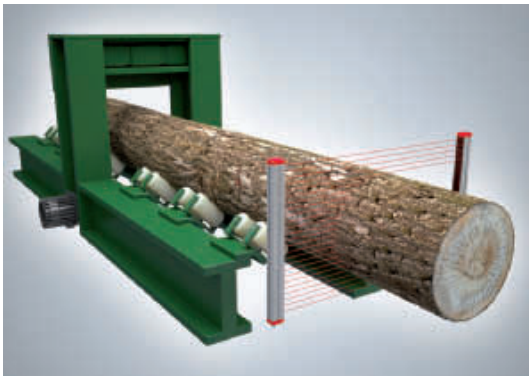
Position control



Profile scan



Hole detection



Wood industry

1-2 Model line up

F3EM2 is provided with 3 output versions:

- ♦ Analogue 0-10 V
- ♦ RS-232C + analogue 0-10 V
- ♦ RS485 + analogue 0-10 V (on request)

F3EM2 is available in two resolutions:

Model	Sensing distance	Pitch resolution	Min. detectable object
F3EM2-005-[...]	0 to 3 m	5 mm	10 mm
F3EM2-018-[...]	0 to 15 m	18 mm	30 mm

Models with 7.5mm resolution are available upon request.

Due to its modular design F3EM2 can be provided in various sizes. For standard sizes please refer to model list in chapter 6.

2

Installation

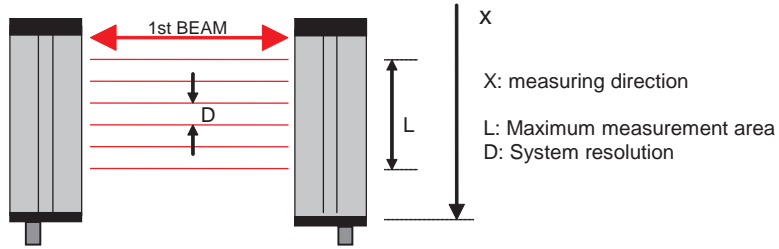
2-1	General	2-2
2-2	Mechanical installation	2-3
	Mounting accessories	2-3
	Additional mounting rigidity	2-3
	Mechanical Mounting.....	2-4
2-3	Operating environment	2-4
2-4	Operating distances	2-4
	Analogue models	2-5
	Models with serial & analogue output	2-6
2-5	Wiring & output circuit	2-5
2-6	Setting the internal selector-switches	2-7

2-1 General

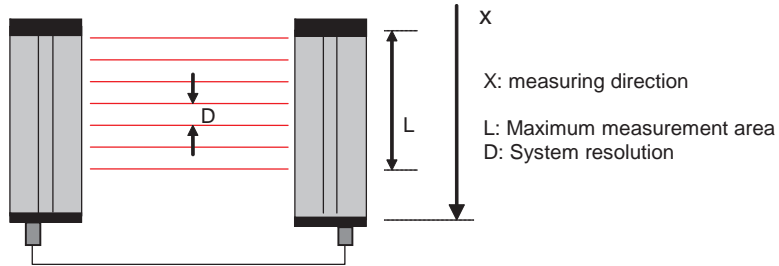
The light curtain consists of one bar with light emitting optical elements and of one with receiving optical elements. The photosensitive elements are scanned in sequence, thus broken rays are detected.

F3EM2 features optical synchronisation and does not require synchronization wire between transmitter and receiver. The sync-function is provided by the upper beam located on the opposite side of the connector (see illustration below). During operation this beam must always be kept free. Otherwise it will result a loss of synchronism between the transmitter and receiver.

2



For applications where also the upper beam is needed for measurement synchronization by wire can be activated (see '4-1 DIP switch setting' on page 4-2). In this case transmitter and receiver must be connected by a sync-wire (see '2-5 Wiring & output circuit' on page 2-5).



Installation

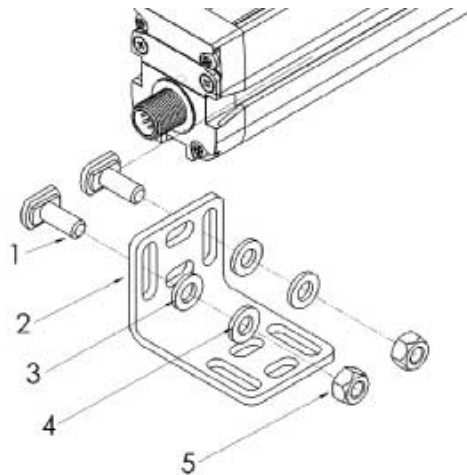
2-2 Mechanical installation

Mounting accessories

The F3EM2 system is mechanically installed by using the T-slots on the two sides or the back-side of the housing.

Use the movable bolts, washers, growers and nuts to fix the mounting brackets as shown in the picture

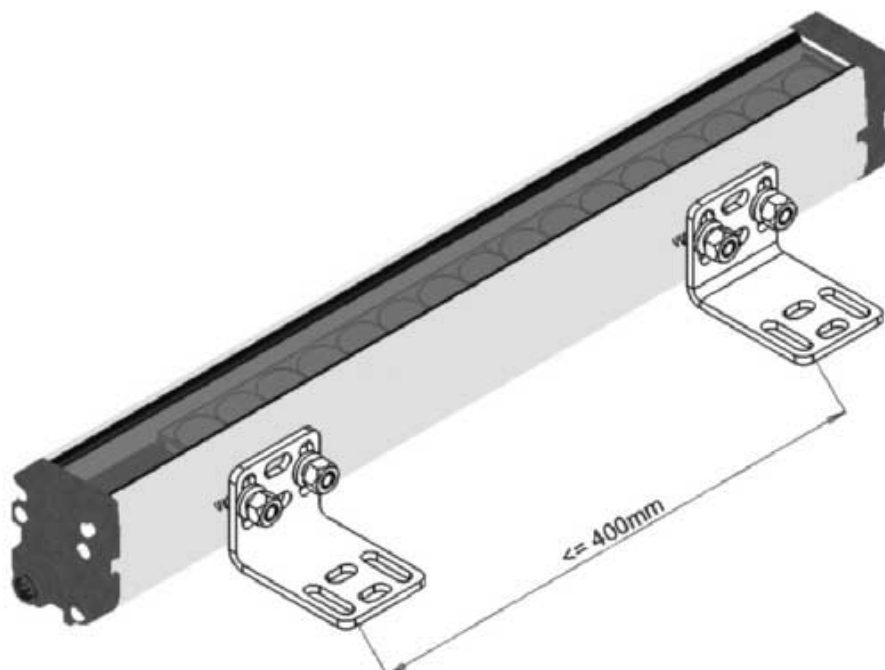
ID	Description
1	movable M6 bolt
2	fixing braket
3	M6 washer
4	M6 Grower
5	M6 nut



Note: Shipment contains different quantity of brackets, depending on the length of the SLC. Longer SLC contains a higher number of brackets, following the rule of every 400 mm one bracket.

Additional mounting rigidity

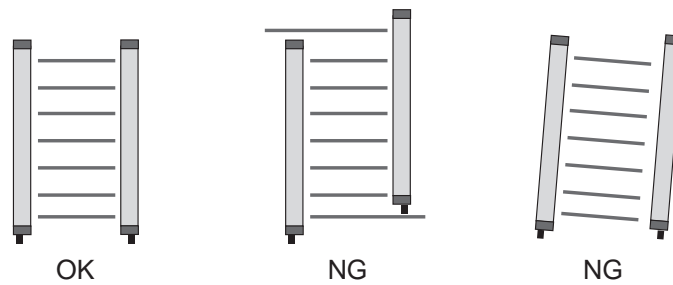
It is recommended that the distance between the mounting brackets is 400 mm or less for optimum performance of the F3EM2 system.



2-3 Operating environment

Mechanical Mounting

Please mount the light curtains in proper alignment as shown in the pictures below by using the brackets provided with the light curtains.

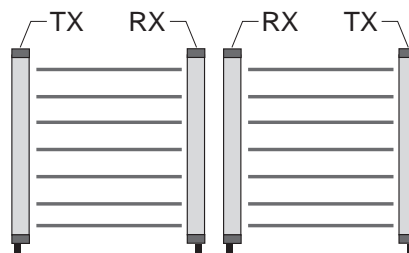


For serial output models the STROBE input can be used for easier alignment. Please follow this procedure:

- Turn on the light curtain with the STROBE input connected to +24 VDC
- Move the light curtain to reach the alignment using the led indication on receiver (see led table 5-1)
- Turn off the light curtain and remove the +24 VDC strobe input connection

If F3EM2 is installed at long distances the laser alignment aid F39-TGR-LLK2-CL provides a visible laser spot for simplified installation.

If several light curtains are installed close to each other, interference of the light curtains must be avoided. In this case the assembly should be carried out as follows:



2-3 Operating environment

The area for the installation of the light curtain must be suitable according to the technical specifications. The temperature of the environment, interference caused by electromagnetic disturbance and ambient light must be considered. Please contact the manufacturer for any information not contained in this manual.

2-4 Operating distances

The operating distances, which are given in the technical specifications, are guaranteed values for reliable operation. Operating F3EM above the specified sensing distance may cause greater sensitivity to vibration and possible electro magnetic disturbances.

If the F3EM2 is operated in a distance <1m, the sensitivity can be set to NEAR operation by dip-switch setting at transmitter (see '4-1 DIP switch setting' on page 4-2).

This should be considered for following application conditions:

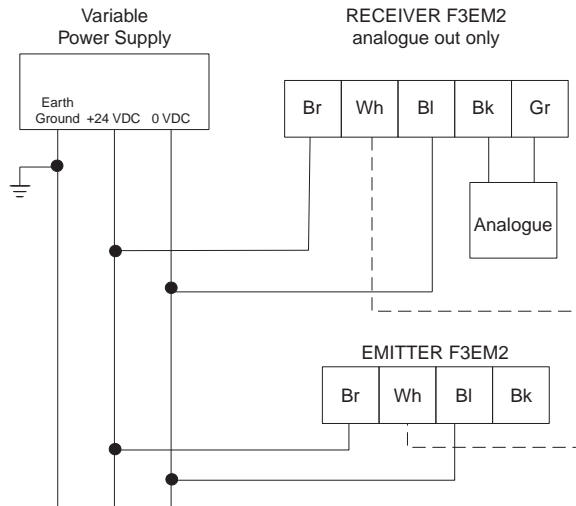
- a) Multiple light curtains are installed close to each other (avoiding mutual interference)
- b) Detection of small or semi-transparent objects

If none of above mentioned cases applies, FAR setting should be kept in order to provide maximum detection reliability.

2-5 Wiring & output circuit

The F3EM2 can be operated with analogue output or serial output. Please connect the light curtain as described below:

Analogue models



2

Connector PIN assignment - Receiver

Type	Internal wiring	Pin	Colour	Signal name
M12 n5 pole		1	Brown	+Vs
		2	White	Wire sync
		3	Blue	0V
		4	Black	Analogue +
		5	Gray	Analogue reference

Connector PIN assignment - Transmitter

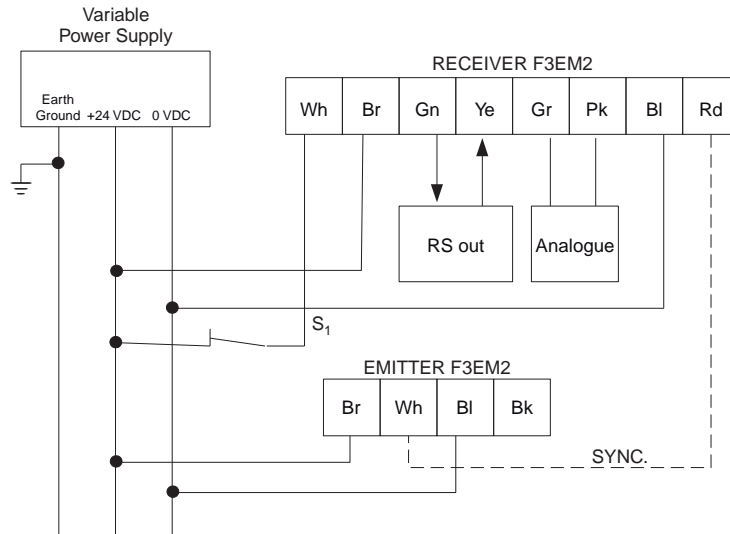
Type	Internal wiring	Pin	Colour	Signal name
M12 n4 pole		1	Brown	+Vs
		2	White	Wire sync
		3	Blue	0V
		4	Black	Not used

For synchronization by wire please connect white wires of transmitter and receiver.

Installation

Models with serial & analogue output

2



Connector PIN assignment - receiver

Type	Internal wiring	Pin	Colour	Signal name
M12 n8 pole		1	White	Strobe input/alignment (normally open)
		2	Brown	+Vs
		3	Green	RS+ or RS TX
		4	Yellow	RS- or RS RX
		5	Gray	Analogue +
		6	Pink	Analogue reference
		7	Blue	0V
		8	Red	Wire synch

Connector PIN assignment - transmitter

Type	Internal wiring	Pin	Colour	Signal name
M12 n4 pole		1	Brown	+Vs
		2	White	Wire sync
		3	Blue	0V
		4	Black	Not used

For synchronization by wire please connect the red wire of receiver with white wire of transmitter.



Safety Points

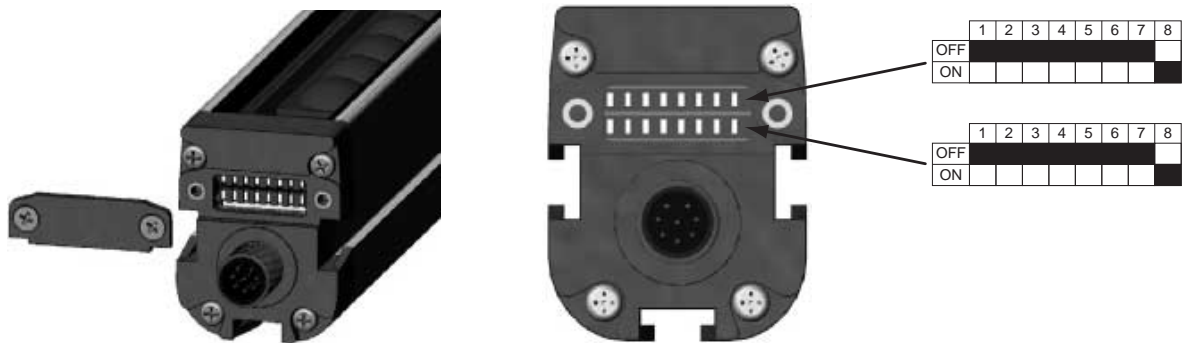
We recommend protecting the control unit with an external fuse, whose rated breaking current must be 1A, even if the appliance is provided with its own internal, self-resetting fuse.

2-6 Setting the internal selector-switches

Precautions for Correct Use

All the operations listed below must only be carried out when the receiver is disconnected to the power supply.

Settings like operation mode, baud rate and distance can be changed by selector switches. To access the selector switches unscrew the end cap of the receiver and transmitter unit:



There are two lines of dip switches in each transmitter and receiver. The settings must be done for both lines. Change the setting of the dip-switch and close the cap again. The light curtain can now be reconnected to the power supply. The functions of dip-switches are explained in chapter 4-1 'DIP switch setting' on page 4-2.

3

Operation - General aspects and definitions

F3EM2 is not a safety device. The usage of F3EM2 as Safety protection equipment is dangerous and prohibited and expose personnel to serious injury.

3

3-1	Beam order	3-2
3-2	Output modes	3-3

3-1 Beam order



Safety Points

F3EM2 is not a safety device. The usage of F3EM2 as Safety protection equipment is dangerous and prohibited and expose personnel to serious injury.

The light curtain consists of an array of beams that can be obscured by an object between transmitter and receiver. The status of each beam (open or blocked) is controlled every scan cycle and the output reflects the current status accordingly. Thus size and position of objects can be detected.

Different output modes are available to adapt F3EM2 operation to the given application and to simplify installation into the machine.

3-1 Beam order

Beams are numbered in the way as shown in the picture; starting from beam 1 opposite to connector to the last beam at the connector side of the light curtain.

Beam status in the protocol is defined as follows:

Beam open = 0

Beam blocked = 1

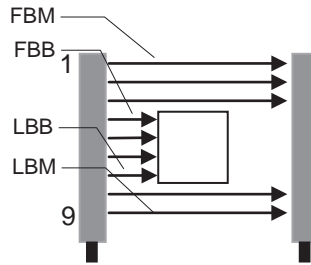


3-2 Output modes

The F3EM2 light curtain can provide various output modes and combination of these to describe the position and the size of an object:

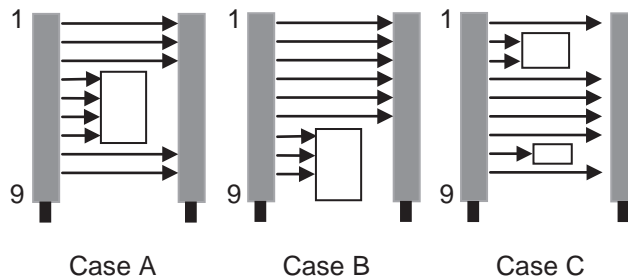
FBB (First Beam Blocked)	First beam in chain obscured by object
FBM (First Beam Made)	First beam in chain that is open
NBB (Number of Beams Blocked)	Total number of blocked beams - no holes included
NAB (Number of Area Blocked)	Number of beams from 1st blocked to last blocked beam (including holes)
LBB (Last Beam Blocked)	Last blocked beam in the chain
LBM (Last Beam Made)	Last open beam in the chain
Bitmap	The status of each beam (serial models)

Example:



In serial operation F3EM2 can transmit status of each single beam or a combination of two output values. See 3 examples how this is reflected for each function:

Examples:



	Case A	Case B	Case C
Function	Output values	Output values	Output values
Bitmap	F3EM2 provides the status of each single beam	F3EM2 provides the status of each single beam	F3EM2 provides the status of each single beam
FBB + NBB	4 and 4	7 and 3	2 and 3
FBM + NAB	1 and 4	1 and 3	1 and 7
LBB + NBB	7 and 4	9 and 3	8 and 3
LBM + NAB	9 and 4	6 and 3	9 and 7

Specification and settings of each function and the serial protocol configuration are described in chapter 5 'Operating serial output models (RS-232C)' on page 5-1.

4

Operation - Analog models

4-1	DIP switch setting.....	4-2
4-2	Analog output value	4-3

4-1 DIP switch setting

Transmitter:

Dip-SW	Status		Function
1	OFF		Optical Sync (default)
	ON		Wire sync
2			Not used
3 + 4	3	4	Output signal
	OFF	OFF	NAB (default)
	OFF	ON	LBB
	ON	OFF	NBB
	ON	ON	FBB
5	OFF		FAR (default)
	ON		NEAR
6			Not used
7			Not used
8			Not used

Receiver:

Dip-SW	Status		Function
1	OFF		Optical Synch (default)
	ON		Wire synch
2	OFF		0 to 10V (default)
	ON		10 to 0V
3 + 4	3	4	Output signal
	OFF	OFF	NAB (default)
	OFF	ON	LBB
	ON	OFF	NBB
	ON	ON	FBB
5			Not USED
6			Not USED
7			Not USED
8			Not USED

There are two lines of dip switches in each transmitter and receiver. The settings must be done for both lines.

4-2 Analog output value

The output value has linear relationship to the number of interrupted beams (NBB or NBM setting) or to the position index of beam (FBB or LBB).

Example for NAB setting:

$$\text{Output voltage} = \frac{(\text{total No}^\circ \text{ of beams blocked}) \times 10}{\text{Total numbers of beams}} \text{VDC}$$

Example for FBB setting:

$$\text{Output voltage} = \frac{(\text{index No}^\circ \text{ of first beam blocked}) \times 10}{\text{Total numbers of beams}} \text{VDC}$$

The analogue output is refreshed every scanning cycle.

5

Operating serial output models (RS-232C)

5-1	DIP switch setting - Overview.....	5-2
5-2	Transmission speed (baud rate)	5-4
5-3	Beam aquisition and data aquisition	5-4
5-4	Communication protocol for serial output.....	5-5
	Bitmap of optics	5-5
	FBB + NBB	5-6
	FBM + NAB.....	5-6
	LBB + NBB.....	5-7
	LBM + NBM	5-7
	Continues bitmap transmission.....	5-7
	Bitmap + Analogue out (FBB)	5-8
	Holes detection function.....	5-8

5-1 DIP switch setting - Overview

The RS-232C serial interface of F3EM is specified as follows:

- Full duplex operation
- Data format: 8-N-1 (bit start - 8-bit data - 1-bit stop - no parity)
- The signal on analogue output is calculated as shown in chapter 4-2 'Analogue output value' on page 4-3

5-1 DIP switch setting - Overview

Dip switch setting transmitter:

Dip-SW	Status			Function	
1	OFF			Optical Synch (default)	
	ON			Wire synch	
2+3	RS baud rate				
		2	3	Speed	
	OFF	OFF		9600bps (default)	
	OFF	ON		19200bps	
	ON	OFF		38400bps	
	ON	ON		76800bps	
4			Not used		
5	OFF			FAR (default)	
	ON			NEAR	
6+7+8	Output function				
	6	7	8	Serial output	Analogue output
	OFF	OFF	OFF	Bitmap of optics (default)	NAB (default)
	OFF	OFF	ON	FBB + NBB (4 byte total)	NAB
	OFF	ON	OFF	FBM + NAB (4 byte total)	LBB
	OFF	ON	ON	LBB + NBB (4 byte total)	NBB
	ON	OFF	OFF	LBM + NAB (4 byte total)	FBB
	ON	OFF	ON	Continuous bitmap transmission	disabled
	ON	ON	OFF	FBB + LBB (4 byte total)	NBB
ON	ON	ON	Holes detection	disabled	

Dip-switch setting receiver:

Dip-SW	Status		Function	
1	OFF		Optical Synch (default)	
	ON		Wire synch	
2+3	RS baud rate for serial operation			
	2	3	Speed	
	OFF	OFF	9600bps (default)	
	OFF	ON	19200bps	
	ON	OFF	38400bps	
	ON	ON	76800bps	
4+5	Interrogation byte for serial operation			
	4	5	Hexadecimal code / binary code	Analogue output
	OFF	OFF	FAh 11111010 (default)	0-10V (default)
	OFF	ON	FBh / 11111011	0-10V
	ON	OFF	FCh / 11111100	10-0V
ON	ON	FDh /11111101	10-0V	
6+7+8	Output function			
	6	7	8	Analogue output
	OFF	OFF	OFF	Bitmap of optics (default)
	OFF	OFF	ON	FBB + NBB (4 byte total)
	OFF	ON	OFF	FBM + NAB (4 byte total)
	OFF	ON	ON	LBB + NBB (4 byte total)
	ON	OFF	OFF	LBM + NAB (4 byte total)
	ON	OFF	ON	Continuous bitmap transmission
	ON	ON	OFF	FBB + LBB (4 byte total)
ON	ON	ON	Holes detection	

There are two lines of dip switches in each transmitter and receiver. The settings must be done for both lines.

5-2 Transmission speed (baud rate)

The baud rate can be set by DIP switch 2 and 3.

RS baud rate		
2	3	Speed
OFF	OFF	9600bps (default)
OFF	ON	19200bps
ON	OFF	38400bps
ON	ON	76800bps



Precautions for Correct Use

The baud rate must be set both on the receiver bar dip-switches as well as the transmitter bar dip-switches to align the timing synchronism of the two bars.

5-3 Beam acquisition and data acquisition

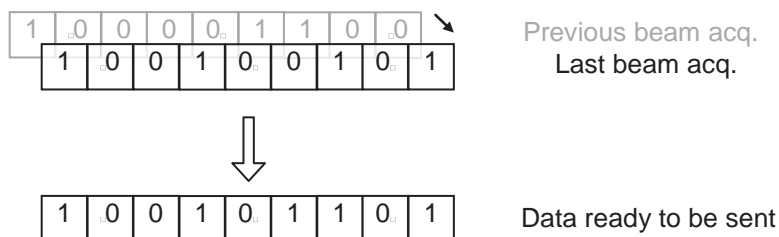
In order to understand the functions of F3EM2 and to choose the right operation mode it is important to differentiate:

Beam acquisition = Conditions of beams checked at one scanning cycle of the light curtain.

Data acquisition = Sum of beam acquisitions gathered in the time frame between 2 external interrogations.

The light curtain saves the beam acquisition made at each scanning cycle and executes a logical "OR" between the status of new acquired beams and the previous one.

See an example of a data acquisition resulting from two beam acquisitions:



Triggered by an interrogation code the light curtain sends the acquired data and cleans the beam status memory again.

In practice this process enables for example the measuring of the maximum height of an irregular shaped object that is moving through the light curtain. Thus only the relevant information is transmitted.

Because the beams are scanned sequentially it can occur that a command or trigger arrives before the scan is completed. In this case the scan is interrupted and the status of the scan before is transferred in the response protocol.

Note: F3EM2 also provides continuous bitmap transmission. In this mode the light curtain continuously sends each beam acquisition to the host / PLC. In this case however the host has to process a much higher amount of data.

5-4 Communication protocol for serial output

The communication of the serial interface provides various possible operation modes depending the dip-switch setting. All of them respect the following timeline:

Host sends interrogation code



F3EM2 reply with acquired data & cleans the data memory.



F3EM2 starts again with data acquisition & waits for next interrogation code

The interrogation codes can be set by dip switches 4+5 (see chapter 5-1 on page 5-2).

Note: After power-on F3EM2 starts automatically with data acquisition (without interrogation code).

The communication can also be forced by signal on the STROBE input (PNP logic); the light curtain responds on the serial line with the desired data.

Note: This STROBE line can be used also as a check for the correctness of the serial wiring and/or communication protocol.

The different operation modes are described below.

Bitmap of optics

Dip switch setting:

6	7	8	Type of function
OFF	OFF	OFF	Bitmap of optics (default)

The light curtain responds with a serial of bytes. The quantity of bytes depends on the total number of beams.

Each beam status is reflected by one bit. The beam index numbers are addressed to bits as shown in the example below. Remaining unused bits in the last byte are set to zero.

E.g. the response of a light curtain with 20 beams is 3 bytes.

The numbers in the table reflect the beam index No:

1 st byte	1	2	3	4	5	6	7	8
2 nd byte	9	10	11	12	13	14	15	16
3 rd byte	17	18	19	20	0	0	0	0

The beam with index 1 starts opposite from the connector.

As a result each response byte contains 8 beams. The following formula applies for the calculation if the number of response bytes:

$$\text{Number of bytes} = \text{INT}[(\text{number of optical units} + 7)/8]$$

The maximum number of optical beams that can be managed by serial interface is 400.



5-4 Communication protocol for serial output

Bit signal vs. beam status is:

0 = BEAM NOT INTERRUPTED
1 = BEAM INTERRUPTED

FBB + NBB

Dip switch setting:

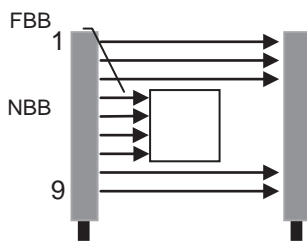
6	7	8	Type of function
OFF	OFF	ON	FBB + NBB

The reply received from the light curtain is composed of 4 bytes.

The first two bytes are related to FBB data
The second two bytes are related to NBB.

FBB data is the binary conversion of the FBB id number.
NBB data is the binary conversion of the NBB number.

Example of the response protocol of a light curtain with 9 beams and FBB + NBB settings:



FBB = 4, NBB = 4 (HEX FORMAT)

1 st byte H FBB	0	0	0	0	0	0	0	0
2 nd byte L FBB	0	0	0	0	0	1	0	0
3 rd byte H NBB	0	0	0	0	0	0	0	0
4 th byte L NBB	0	0	0	0	0	1	0	0

H = high order byte
L = low order byte

FBM + NAB

Dip switch setting:

6	7	8	Type of function
OFF	ON	OFF	FBM + NAB

The reply received from the light curtain is composed of 4 bytes.

The first two bytes are related to FBM data
The second two bytes are related to NAB.

FBM data is the binary conversion of the FBM id number.
NAB data is the binary conversion of the NAB number.

The order of bytes in the protocol is same as example described for FBB + NBB setting.

LBB + NBB

Dip switch setting:

6	7	8	Type of function
OFF	ON	ON	LBB + NBB

The reply received from the light curtain is composed of 4 bytes.

The first two bytes are related to LBB data
The second two bytes are related to NBB.

LBB data is the binary conversion of the LBB id number.
NBB data is the binary conversion of the NBB number.

The order of bytes in the protocol is same as example described for FBB + NBB setting.

LBM + NBM

Dip switch setting:

6	7	8	Type of function
ON	OFF	OFF	LBM + NAB

The reply received from the light curtain is composed of 4 bytes.

The first two bytes are related to LBM data
The second two bytes are related to NAB.

LBM data is the binary conversion of the LBM id number.
NAB data is the binary conversion of the NAB number.

The order of bytes in the protocol is same as example described for FBB + NBB setting.

Continues bitmap transmission

Dip switch setting:

6	7	8	Type of function
ON	ON	OFF	Bitmap + Analogue out (FBB)

This setting allows the light curtain to transmit the bitmap of optics every cycle time.

The interrogation code is used as a start and stop trigger.
After power-on the LC waits for the interrogation code to start transmitting.
When interrogation code was received the LC continuously sends out the updated bitmap of optics every cycle time. When the light curtain receives a further interrogation code it stops transmitting and waits for the next interrogation code to start again the transmission.

The order of bitmaps is described in 'Bitmap of optics' on page 5-5.

Bitmap + Analogue out (FBB)

Dip switch setting:

6	7	8	Type of function
ON	OFF	ON	Continuous bitmap transmission

In this set-up the light curtain drives together the Serial and the analogue output.

Note: The analogue output reflects the status of the FBB and is constantly updated. The serial output, on the contrary, transmit its data only after interrogation code receipt.

The order of bitmaps is described in 'Bitmap of optics' on page 5-5.

Holes detection function

Dip switch setting:

6	7	8	Type of function
ON	ON	ON	Holes detection

This function transmits the bitmap of beams with inverted bit signals.

The default setting
"0 = beam free and 1 = beam broken"
is converted into
"0 = beam occupied and 1 = beam free".

Thus without object the bitmap of all optics will show "1", if the light curtain is aligned correctly.

Acquired data reflects the sum of beam acquisitions and is sent on interrogation code as described in 5-3 'Beam acquisition and data acquisition' on page 5-4.

The order of bitmaps is described in 'Bitmap of optics' on page 5-5.

6

Order codes

Order code		Measurement range	Pitch*1	Sensing distance	Channels
RS232C Serial/ analogue output models*2	Analogue models				
F3EM2-005-150	F3EM2-005-150-AV	150	5 mm	3 m	30
F3EM2-018-150	F3EM2-018-150-AV		18 mm	15 m	8
F3EM2-005-300	F3EM2-005-300-AV	300	5 mm	3 m	60
F3EM2-018-300	F3EM2-018-300-AV		18 mm	15 m	16
F3EM2-005-450	F3EM2-005-450-AV	450	5 mm	3 m	90
F3EM2-018-450	F3EM2-018-450-AV		18 mm	15 m	24
F3EM2-005-600	F3EM2-005-600-AV	600	5 mm	3 m	120
F3EM2-018-600	F3EM2-018-600-AV		18 mm	15 m	32
F3EM2-005-900	F3EM2-005-900-AV	900	5 mm	3 m	180
F3EM2-018-900	F3EM2-018-900-AV		18 mm	15 m	48
F3EM2-005-1200	F3EM2-005-1200-AV	1200	5 mm	3 m	240
F3EM2-018-1200	F3EM2-018-1200-AV		18 mm	15 m	64
F3EM2-005-1500	F3EM2-005-1500-AV	1500	5 mm	3 m	300
F3EM2-018-1500	F3EM2-018-1500-AV		18 mm	15 m	80
F3EM2-005-1800	F3EM2-005-1800-AV	1800	5 mm	3 m	360
F3EM2-018-1800	F3EM2-018-1800-AV		18 mm	15 m	96
F3EM2-018-2100	F3EM2-018-2100-AV	2100	18 mm	15 m	112

*1. Models with 7.5 mm pitch are available. Contact your OMRON representative.

*2. Models with RS485 serial output are available. Contact your OMRON representative.

7

Technical specifications

7-1 Ratings.....7-2

7-1 Ratings

Models	F3EM2-005-...	F3EM2-018-...
Operating distance	3 m	15 m
Light source (wave length)	Infrared (880 nm)	
Pitch	5.3 mm	18.3 mm
Max. number of beams	400 max on serial output	
Operation temperature	-10° to +55°C	
Storage temperature	-10° to +75°C	
Degree of protection	IP65 (IEC 60529)	
Operating voltage	24 VDC ±20%	
Current consumption	150 mA max (excluded load on digital)	
Power-on delay	<1 s	
Response time	4 ms + 80 µs x number of beams (+ transmitting time for serial operation*1)	
Outputs	RS-232C / RS485 / Analogue 0-10 V (12 bits)	
External input	Strobe input	
Protective circuits	Reverse polarity protection, output short-circuit protection	
Max. load on analog output	15 mA	
Insulation resistance	>20 MΩ	
Dielectric voltage strength	350 VAC (1 min)	
Configuration	By dip-switches	
Operating modes	Analogue output 0-10 V or 10-0 V Serial output: RS-232C (RS485 on request)	
Housing material	Aluminum	
Front Window Material	Acrylic Lexan	
End Cap and Connector	ABS	
Sealing Gasket Material	EPDM	

*1) Serial transmission time = 1/bps x 10 x number of transmitted byte




8

LED indicators and error indication

8-1	LED indication on receiver unit.....	8-2
8-2	LED indication on emitter unit.....	8-3
8-3	Troubleshooting for error indication	8-4


8-1 LED indication on receiver unit

Meaning of symbols




SYMBOL	MEANING
	Diagnosis LED off
	Diagnosis LED on
	Diagnosis LED blinking

8-1 LED indication on receiver unit





Status of Receiver is displayed by 5 LEDs:

Disposition of indicator	Name of indicator	Colour
	POWER	Green
	RUN	Yellow
	FREE	Green
	BREAK	Red
	STATUS	Yellow

Normal operation indication on receiver:


LED signal pattern	Description
	No object in field. Running ok
	Object in field. Running ok
	Correct alignment reached

LED error indication on receiver:



ID	LED signal pattern	Description
1		Low supply voltage
2		Error on microcontroller
3		Error on optical system
4		Wrong dip switch configuration

8-2 LED indication on emitter unit





Status of Emitter is displayed by 4 LEDs:

Disposition of indicator	Name of indicator	Colour
	POWER	Green
	STATUS 1	Yellow
	RANGE	Green
	Not used	Red
	STATUS 2	Yellow

Normal operation indication on emitter:

LED signal pattern	Description
	Emitter working, short range selected.
	Emitter working, long range selected.

LED error indication on emitter:

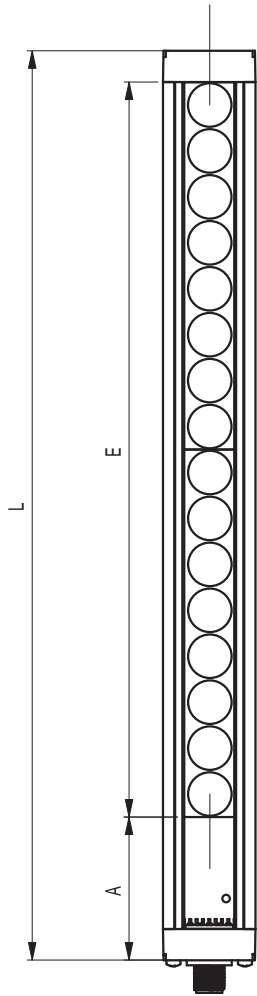
ID	LED signal pattern	Description
1		Low supply voltage
2		Error on microcontroller
3		Error on optical system
4		Wrong dip switch configuration

8-3 Troubleshooting for error indication

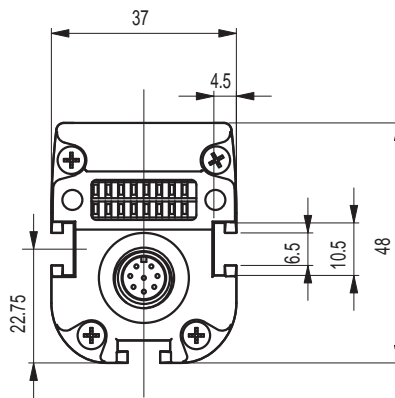
ID	Actions
1	Check if power supply is within specification of 24Vdc \pm 20%
2	Turn the unit ON and OFF again. If the error persist, please contact manufacturer
3	Turn the unit ON and OFF again. If the error persist, please contact manufacturer
4	Check the setting of switches

Dimensions





L: Total length
 E: Detection zone
 A: Dead zone without detection capability



All dimensions shown are in mm

Item number	Detection Zone E (mm)	Total length L (mm)
F3EM2-005-150(-AV)	159	218
F3EM2-018-150(-AV)	147	217
F3EM2-005-300(-AV)	318	277
F3EM2-018-300(-AV)	294	364
F3EM2-005-450(-AV)	477	536
F3EM2-018-450(-AV)	441	511
F3EM2-005-600(-AV)	636	695
F3EM2-018-600(-AV)	588	658
F3EM2-005-900(-AV)	954	1013
F3EM2-018-900(-AV)	882	952
F3EM2-005-1200(-AV)	1272	1331
F3EM2-018-1200(-AV)	1176	1246
F3EM2-005-1500(-AV)	1590	1649
F3EM2-018-1500(-AV)	1470	1540
F3EM2-005-1800(-AV)	1908	1967
F3EM2-018-1800(-AV)	1764	1834
F3EM2-018-2100(-AV)	2058	2128

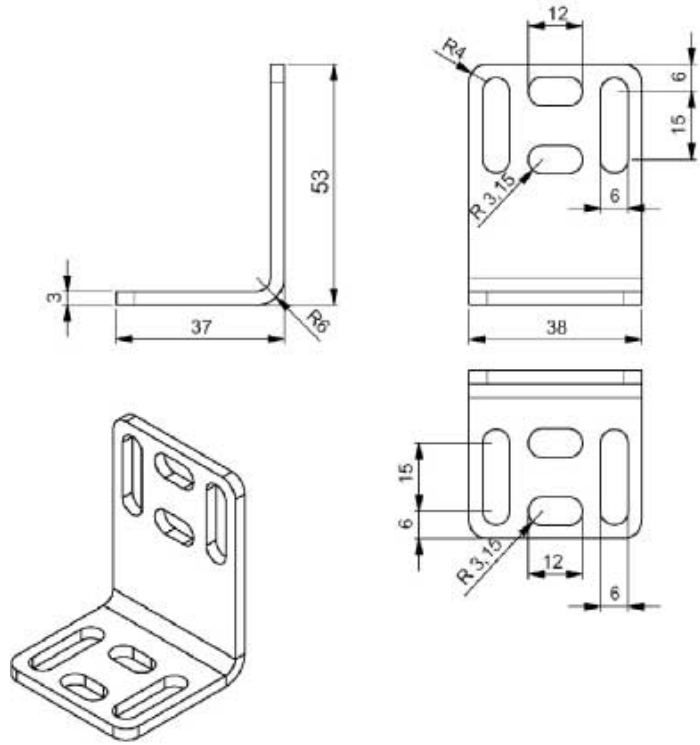
10

Accessories

10-1 Mounting bracket.....	10-2
10-2 Cables	10-2

10-1 Mounting bracket

(provided with the product)



10-2 Cables

	Order Code	Length
M12-8pin (straight, shielded)	Y92E-M12PURSH8S2M-L	2 m
	Y92E-M12PURSH8S5M-L	5 m
M12-5pin (straight)	XS2F-M12PVC5S2M	2 m
	XS2F-M12PVC5S5M	5 m
M12-5pin (angled)	XS2F-M12PVC5A2M	2 m
	XS2F-M12PVC5A5M	5 m

For other accessories like alignment kit, special brackets or connector cables please contact your sales representative.

Manual Revision History

The manual revision symbol is an alphabet appended at the end of the manual number found in the bottom left-hand corner of the front or back cover.

Example



↑
Revision symbol

Revision symbol	Revision date	Description of revision and revised page
01	January 2012	First Print.